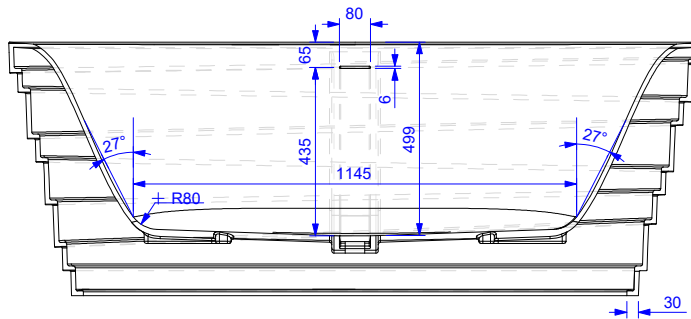
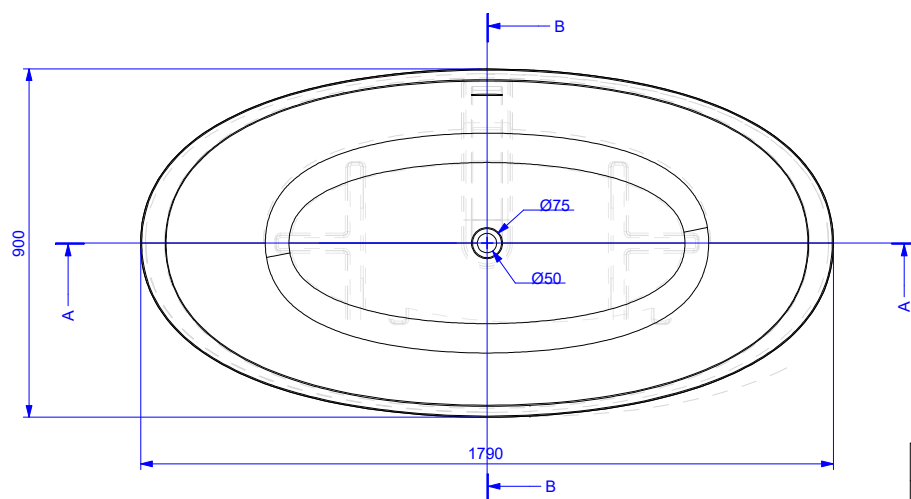
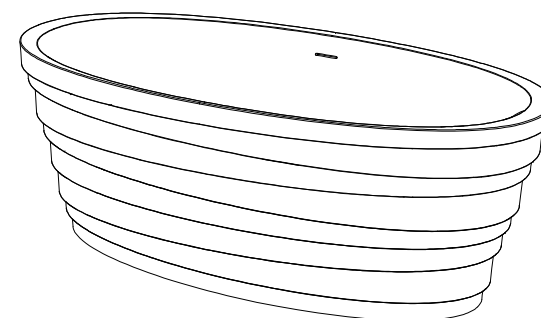
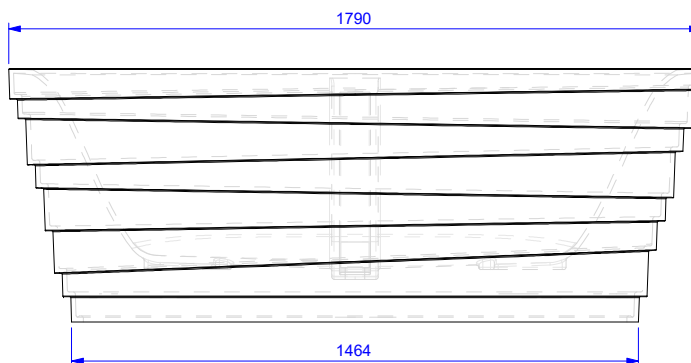
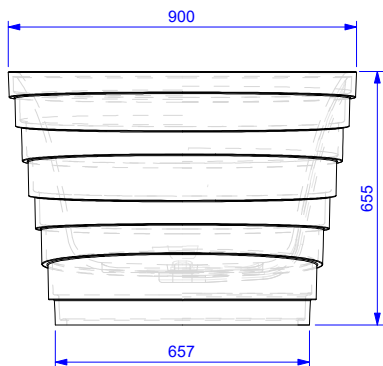



section BB



section AA



DRAWN Maurizio Amato	2021-05-31			
CHECKED				
QA		<h1 style="text-align: center;">DUNE BATHTUB</h1>		
APPROVED				
		SIZE C	DWG NO	REV
		SCALE		SHEET 1 OF 1